

XL-3043M

2D Embedded Image Scanner

Ultra-wide scanning angle
3mil high precision scanning
Flexible embedding method



1D/2D



Mobile payment



Auto



Plug and play



32-bit



1280x800Pixel

Applications



Features

- ◆ With tempered glass, scratch-proof, more durable
- ◆ Ultra far depth of field by megapixel with global exposure
- ◆ 100% self-independent technology, support online upgrade
- ◆ Multi-interface, compatible with various embedded machines
- ◆ Adjustable volume to meet different environmental requirements
- ◆ Suitable for subway gate machine, parking lot, access control of scenic spot

SUNLUX IOT TECHNOLOGY (GUANGDONG) INC.

Office Add: 4F, No.7, Kehui First Street, Science Road, Guangzhou, China

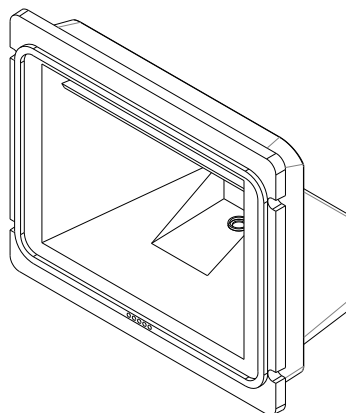
Tel: +86-20-32053765 Fax: +86-20-82115390 Website: www.xl-scan.com E-mail: overseas01@xl-scan.cn

XL-3043M

Technical Parameters

Performance Parameter

| | |
|---------------------|--|
| Light Source | 650nm visible red LED |
| CPU | 32-bit ARM microprocessor |
| Scan Mode | Automatic scanning |
| Image Size | 1280x800 Pixel |
| Scanning Speed | 60 fps/s |
| Mobile Tolerance | 1.5m/s |
| Mnimum Resolution | ≥3mil |
| Scan Angle | Rotata 360° |
| View Angle | Deflection 360° , Dip 65° , Elevation 60° |
| Decoding Depth | 5~250mm@(13mil UPC/EAN 100%,PCS=90%) |
| Decoding Capability | 1D: Codabar, Code11, Code39, Code32, Interleaved 2 of 5, Industrial 2 of 5, Matrix 2 of 5, Code93, Code128, GS1-128, UPC-A, UPC-E, EAN 8, EAN 13, GS1 DataBar(RSS14), GS1 DataBar Limited, GS1 DataBar Expanded, etc 2D: PDF417, Micro PDF417, QR Code, Micro QR, Data Matrix, Aztec Code |



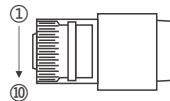
Other Parameters

| | |
|-------------------------|--|
| Size | L × W × H: 143×67.5×119(mm) |
| Weight | 320g |
| Case Material | ABS+PC Flameresistant material |
| Input Voltage | DC 5V |
| Working Current | < 270mA |
| Stand-by Current | < 160mA |
| Indicator | Buzzer |
| Interface | USB-HID, RS-232 (Wire support required), USB-VCP |
| Cable | Straight 1.8m |
| Temperature (Operating) | -10°C~50°C |
| Humidity | 5% to 95% (non-condensing) |
| Temperature (Storage) | -20°C~60°C |
| Light Levels | 0~5000Lux (fluorescence), 0~100,000 Lux (sunlight) |

Interface Definition

The 10pin crystal connector supports USB cable and serial canle

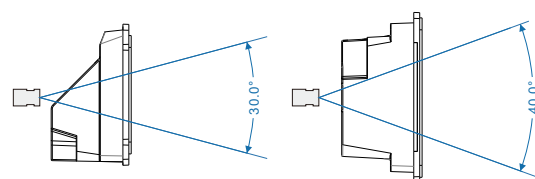
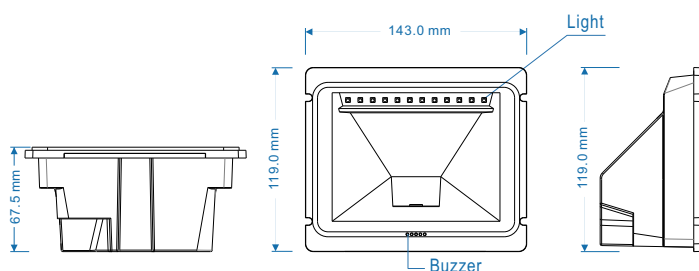
| Pin-out | Description | Pin-out | Description |
|---------|-------------|---------|-------------|
| ① | CTS | ⑥ | RTS/PC_CLK |
| ② | TX | ⑦ | +5V/PC_5V |
| ③ | RX | ⑧ | D+ |
| ④ | GND | ⑨ | D- |
| ⑤ | PC-DATA | ⑩ | NC |



The Depth Of Field Performance

| Type | Minimum(mm) | Maximum(mm) |
|--------------|-------------|-------------|
| EAN13 3mil | 5 | 60 |
| EAN13 5mil | 5 | 150 |
| EAN13 8mil | 5 | 220 |
| EAN13 13mil | 5 | 250 |
| EAN13 20mil | 5 | 310 |
| EAN13 30mil | 10 | 320 |
| Payment code | 5 | 930 |

*XL-3043M-V1.21.11



Vertical scanning field angle: 30 °

Horizontal scanning field angle: 40 °